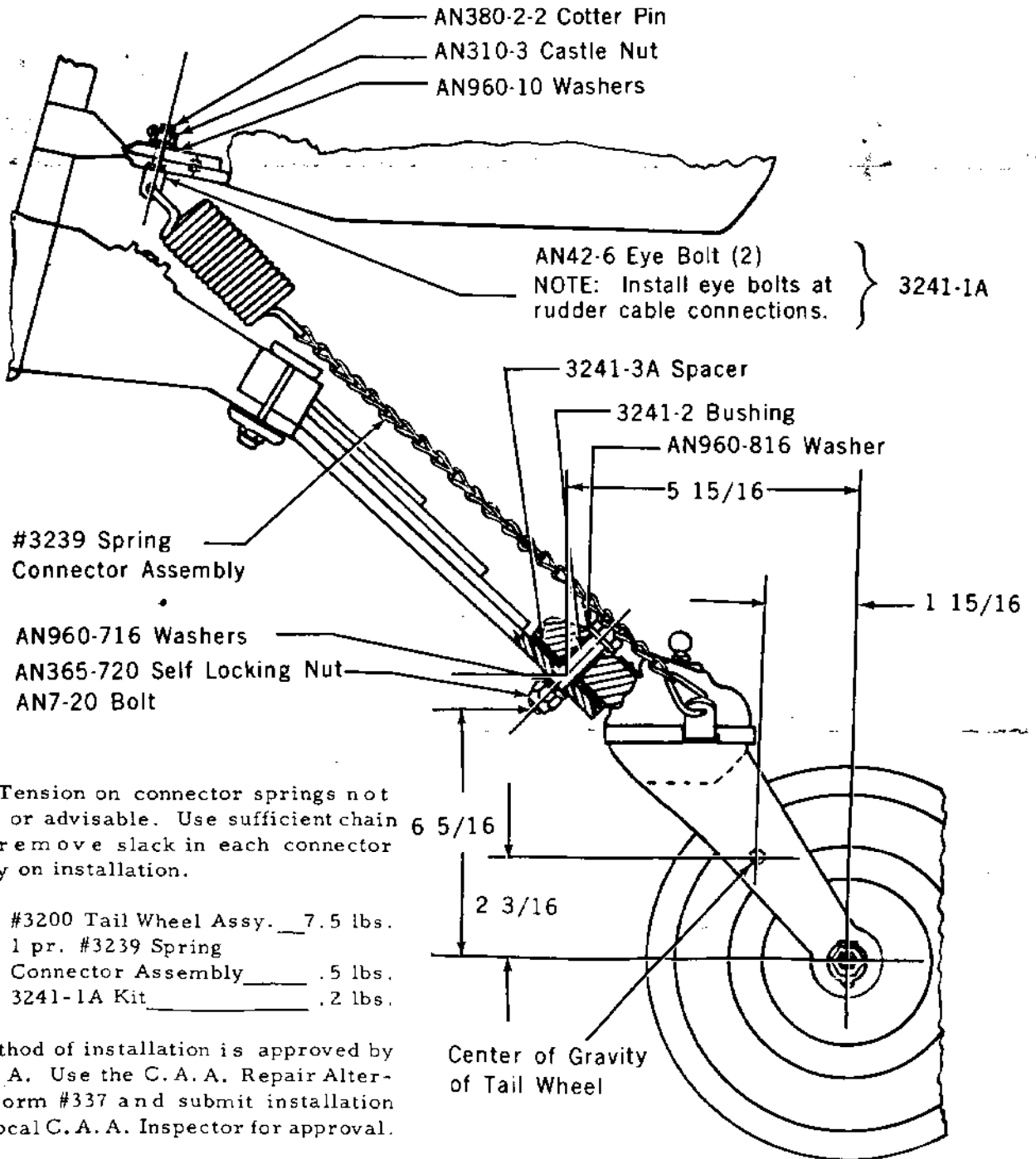
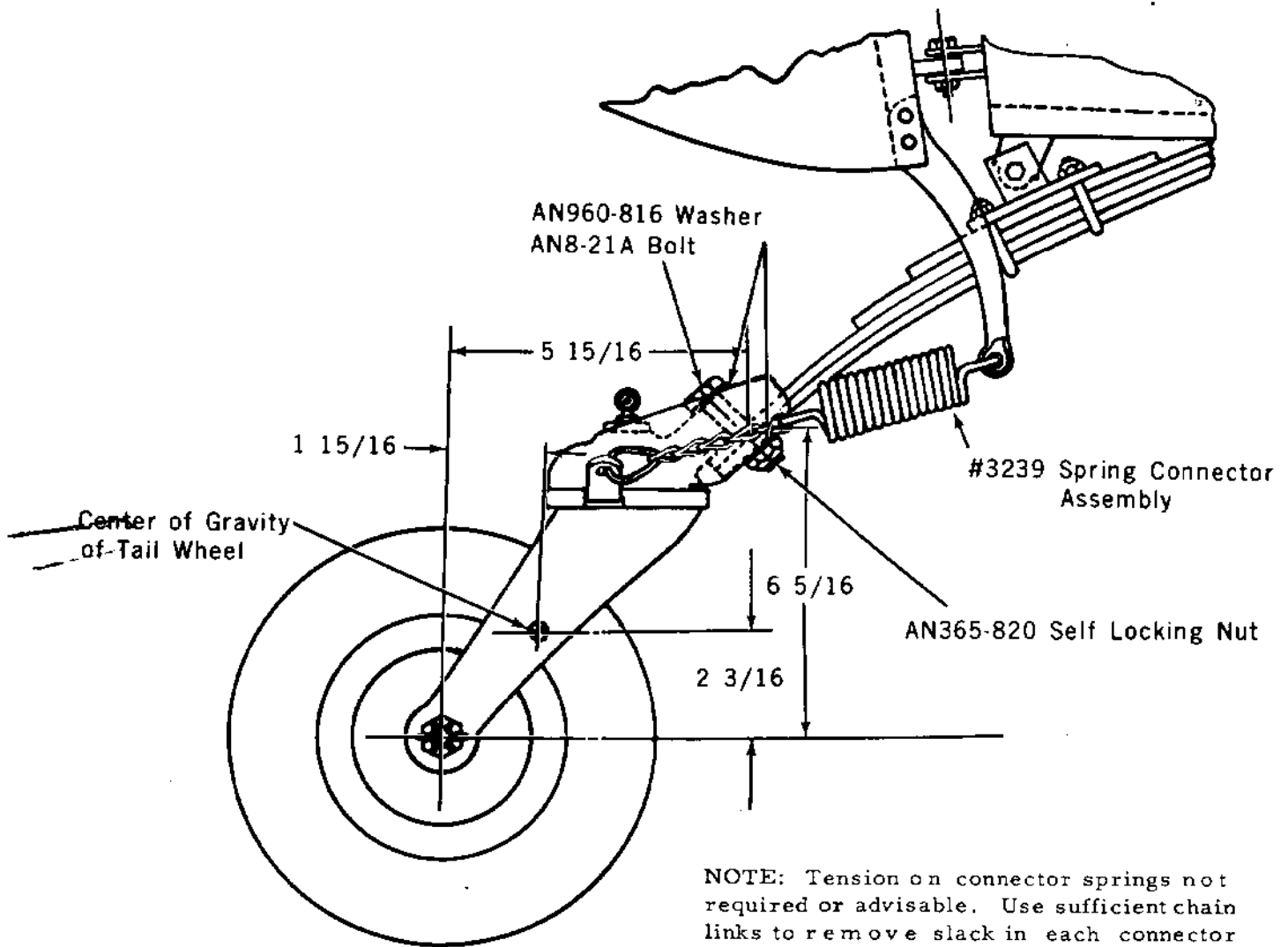


**INSTALLATION INSTRUCTIONS
SCOTT 3200 TAIL WHEEL FOR CESSNA 120, 140 &
170 AIRCRAFT**





NOTE: Tension on connector springs not required or advisable. Use sufficient chain links to remove slack in each connector assembly on installation.

Weight - #3200 Tail Wheel Assy. ___ 7.5 lbs.
 Weight - 1 pr. #3239 Spring
 Connector Assembly _____ .5 lbs.
 Weight - 3241-1A Kit _____ .2 lbs.

This method of installation is approved by the C. A. A. Use the C. A. A. Repair Alteration Form #337 and submit installation to your local C. A. A. Inspector for approval.