



**Customer Services**

# SERVICE BULLETIN

No. 203

Piper Aircraft Corporation

Lock Haven, Pennsylvania, U.S.A.

April 21, 1961

---

**SUBJECT:** Modification of Cabin Heat Box Plate

**MODELS AFFECTED:** PA-22-108 Colt Aircraft - Serials 22-8000 to 22-8440 inclusive and 22-8443

**DATE OF COMPLIANCE:** Within next 25 hours of Operation

The cabin heat box plate part number 14631, interferes with the movement of the safety belt attaching link. This restriction of movement prevents the safety belt loop from contacting the entire bearing surface of the link when the safety belt is in use.

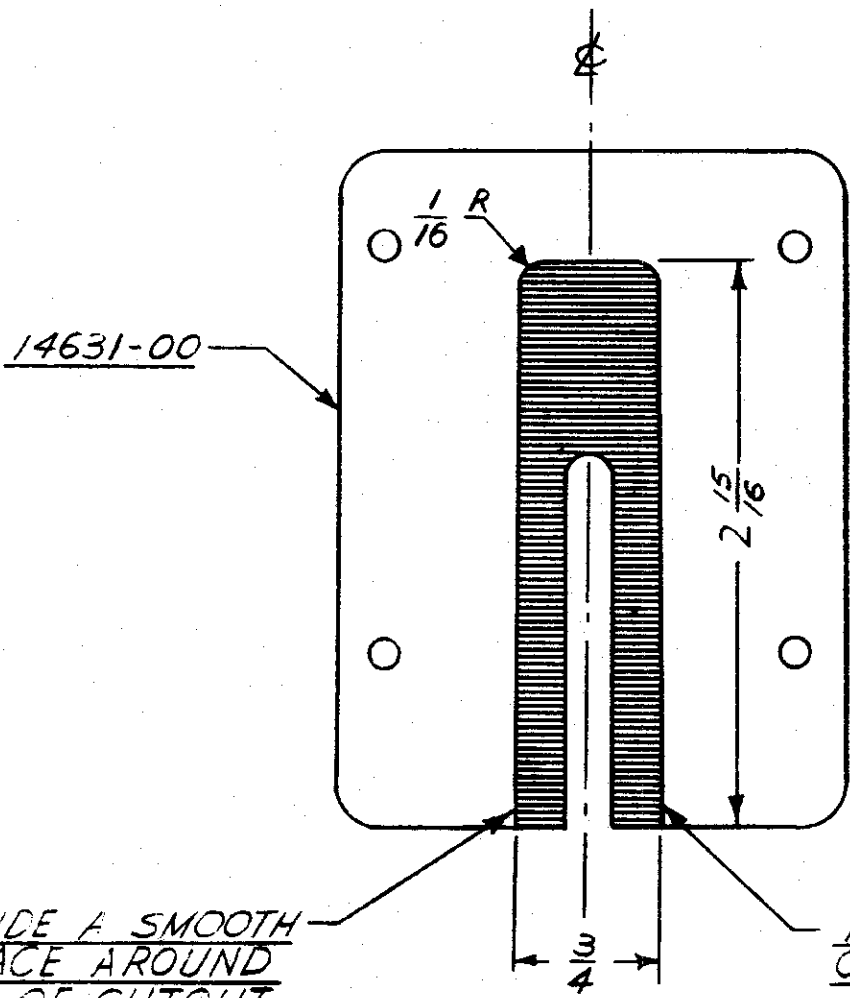
It is requested that the cabin heat box plate be modified in accordance with the sketch of the reverse side on this bulletin.

Enclosed is a compliance card which must be signed and immediately returned to the Service Department when this modification has been performed.

(Over)

Enclosure - Compliance Card

---



PROVIDE A SMOOTH SURFACE AROUND EDGE OF CUTOUT TO AVOID ABRASION OF SEAT BELT.

TRIM MATERIAL CUT OF AREA INDICATED