



SERVICE BULLETIN

No. 522

Piper Aircraft Corporation

Lock Haven, Pennsylvania, U.S.A.

"Modification DOA EA-1 Approved"

September 28, 1976 S

Subject:

Wing Fuel Tank Cap Modification.

Models Affected:

Serial Numbers Affected:

The following two groups of aircraft are affected as indicated within each group; all are fabric covered, high wing aircraft.

Group I:

Affected only if a wing fuel tank cap has been replaced with fuel tank cap part number 15296-02 since June 1, 1976:

- PA-11 Series
- PA-12 Series
- PA-14 Series
- PA-16 Series
- PA-18 Series
- PA-20 Series
- PA-22 Series

- All
- All
- All
- All
- 18-1 to 18-7609068 Inclusive
- All
- All

Group II:

All aircraft specified below are affected:

- PA-18-150 Super Cub

18-7609069 to 18-7609096 Inclusive, 18-7609098 to 18-7609123 Inclusive, 18-7609125 to 18-7609127 Inclusive, 18-7609129, 18-7609131 to 18-7609136 Inclusive, 18-7609138 to 18-7609142 Inclusive, 18-7609144 and 18-7609146.

Compliance Time:

Prior to next flight.

Purpose:

Two reports have been received from the field describing collapsed wing mounted fuel tanks, resulting from inadequate venting of the tank. This condition can occur when the fuel tank filler neck gasket is inverted, thus creating a seal between the filler neck and the fuel tank cap, Piper part number 15296-02.

over

Purpose: (Continued)

Fuel Tank Cap, part number 15296-02 was factory installed on aircraft specified in Group II (above), and has been sold as a Field replacement item since June 1976 for aircraft specified in Group I, above.

This service release provides instructions to apply additional vent holes in the fuel tank cap to allow continued positive fuel tank venting in the event that the tank filler neck gasket inadvertently develops a seal between the filler neck and the fuel tank cap. The attached sketch illustrates the above referenced fuel tank cap modification and proper installation of the fuel tank filler neck gasket.

Instructions:

See attached sketch/instruction sheet.

Material Required:

Not applicable.

Availability of Parts:

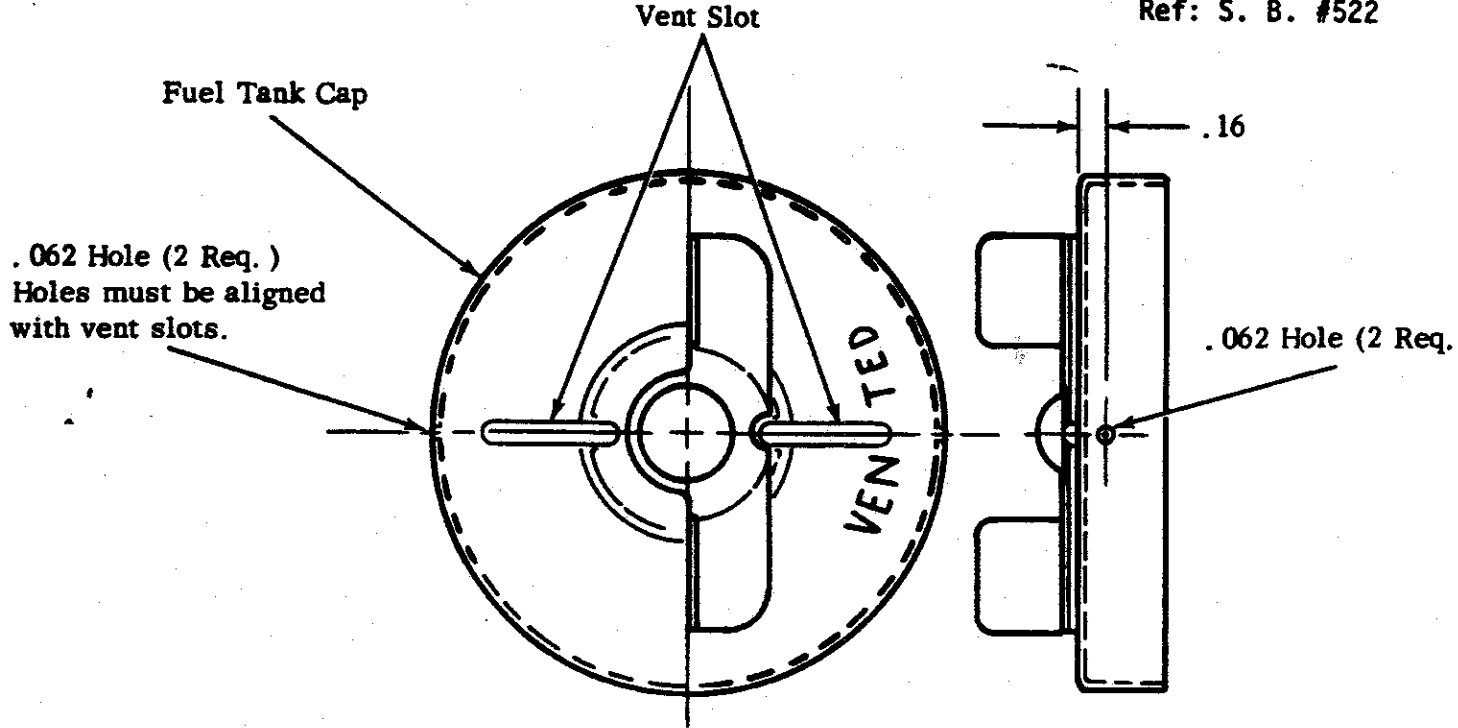
Not applicable.

Effectivity:

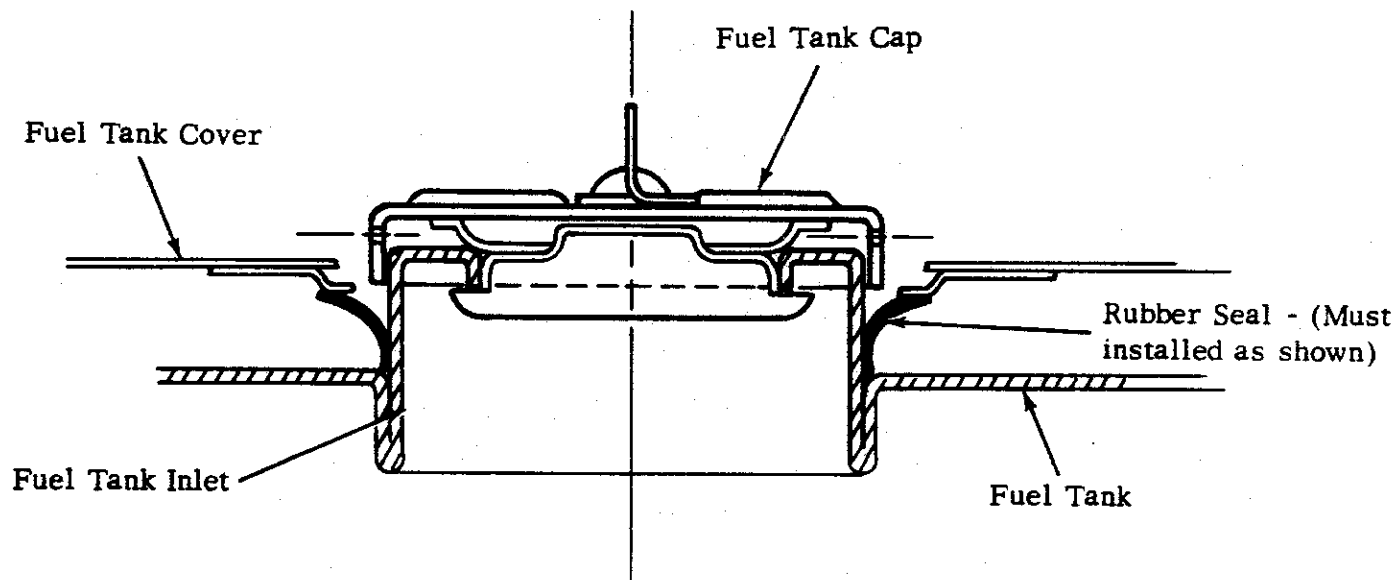
This service release is effective upon receipt.

Summary:

Please contact your Piper Field Service Facility to make arrangements for compliance with this service release in accordance with Compliance Time, above, if your aircraft is affected as defined in Models and Serial Numbers Affected section, Groups I and II, above. Fuel Tank Caps provided through factory stock for the above referenced aircraft after September 24, 1976 will incorporate the modification described in this service release.



VIEW OF FUEL TANK CAP - P/N 15296-02



CROSS SECTION OF FUEL TANK INLET AND RUBBER SEAL

INSTRUCTIONS

1. Remove fuel tank caps from wings and rework caps by drilling two .062 holes .16 down from top of cap. Holes must be aligned with vent slots as shown.
2. Inspect rubber seal around fuel tank inlet to determine if seal is properly installed as shown.
 - a. If seal is not installed correctly, remove fuel tank cover from wing, reposition seal as shown and reinstall fuel tank cover.
3. Reinstall reworked fuel tank caps and make proper logbook entry of Service Bulletin 522 compliance.